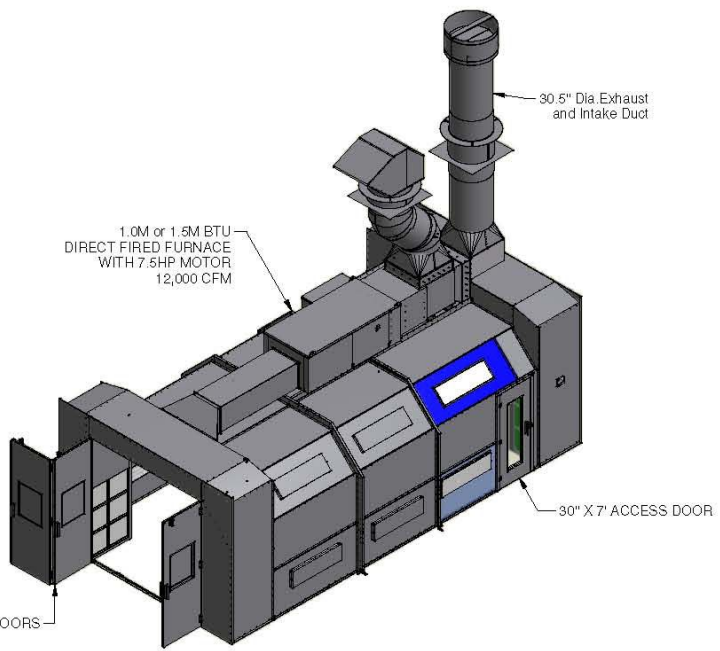
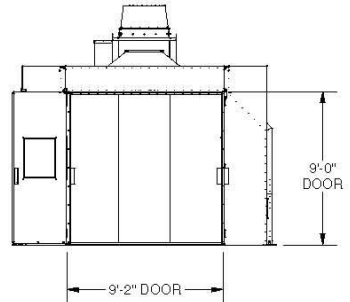
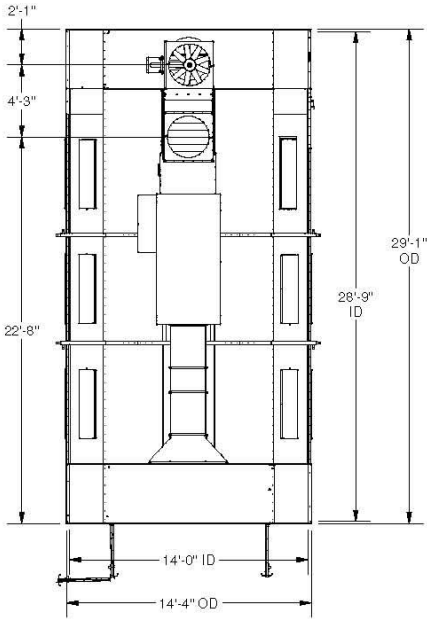
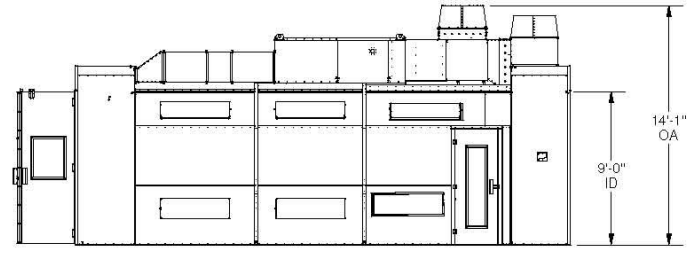


ELECTRICAL REQUIREMENT		
STANDARD EQUIP.	VOLTS	FULL LOAD AMPS
(13) 4-TUBE LIGHT FIXTURES	115/277V	9/45 AMPS PER FIXTURE
(1) 5HP FAN MOTOR 3PH	208/230/460/75V	16.7/15.2/7.6/1.1 AMPS
(1) 7.5HP HEATER MOTOR	208/230/460/75V	24.2/22/11/6 AMPS



ALL DIMENSIONS ARE FOR REFERENCE ONLY AND SUBJECT TO CHANGE



- SPRAY BOOTH PERMIT REQUIREMENTS:
- (1) AIR AND FIRE SUPPRESSION OR SPRINKLERS TO BE INSTALLED BY LOCAL CONTRACTORS ON SEPARATE PERMIT.
  - (2) SPRAY BOOTH TO BE SEPARATED FROM OTHER OPERATIONS BY NOT LESS THAN 9' BY A WALL OR PARTITION, INTERIOR SURFACES SMOOTH AND CONTINUOUS.
  - (3) AIR SHALL EXHAUST WITHIN 4' OF THE FLOOR TO PICK UP FLAMMABLE VAPORS.
  - (4) MECHANICAL VENTILATION SHALL BE KEPT IN OPERATION AT ALL TIMES WHILE SPRAYING OPERATIONS ARE CONDUCTED AND FOR A SUFFICIENT TIME THEREAFTER TO ALLOW VAPORS FROM DRYING COATED ARTICLES AND FINISHING MATERIAL RESIDUE TO BE EXHAUSTED.
  - (5) AIR VELOCITY SHALL BE DESIGNED, INSTALLED AND MAINTAINED SUCH THAT THE AVERAGE AIR VELOCITY ACROSS THE FILTER SECTION OF THE SPRAY BOOTH DURING SPRAYING SHALL BE NOT LESS THAN 100 L/FM.
  - (6) ELECTRIC MOTORS DRIVING EXHAUST FANS SHALL NOT BE PLACED IN BOOTHS OR DUCTS. FANS ROTATING ELEMENTS SHALL BE NON-FERROUS OR NON-SPARKING OR COATED SHALL BE LINED WITH SUCH MATERIAL.
  - (7) BELTS SHALL NOT ENTER BOOTHS OR DUCTS UNLESS BELTS AND PULLEYS WITHIN A DUCT OR BOOTH ARE TIGHTLY ENCLOSED.
  - (8) ELECTRICAL GROUNDING IS REQUIRED FOR METAL PARTS OF SPRAY BOOTH, EXHAUST DUCTS AND PIPING SYSTEMS CONVEYING CLASS 1 OR II LIQUIDS IN ACCORDANCE WITH THE ELECTRICAL CODE.
  - (9) ELECTRICAL INTERLOCK IS REQUIRED SO THAT SPRAYING CANNOT BE CONDUCTED UNLESS THE VENTILATION FANS ARE IN OPERATION VIA AIR SOLENOID.
  - (10) INSIDE THE BOOTH ELECTRICAL SHALL BE CLASS I DIV. 1
  - (11) ALL ELECTRICAL COMPONENTS ARE UL LISTED.
  - (12) CLOSED BOOTH OPENINGS ARE CONSIDERED CLASS II DIV. 2 WITHIN 4' OF THE OPENINGS.
  - (13) NO SMOKING OR WELDING SIGNS SHALL BE POSTED WITH LARGE LETTERS AND A CONTRASTING BACKGROUND IN ALL SPRAY AREAS AND PAINT STORAGE ROOMS.
  - (14) ALL BOOTHS MEET OR EXCEED NFPA 653-UMC-IFC-UBC CODES.
  - (15) SPRAY BOOTHS WITH REDUCED TECHNOLOGIES AUTO SPRAY BOOTH ARE ETL LISTED #2099187-01 AND OPEN FRAME SPRAY BOOTH ARE ETL LISTED #20276-01 MERCURY HEATER ETL LISTED REPORT #201972603.
  - (16) FLOOR MUST BE FLAT AND LEVEL ± .10".

 www.spraytech.com	PART NUMBER : TRFCE291	MATERIAL:	FINISH	QTY
	DESCRIPTION: Pressurized Reverse Flow Galvanized Spraybooth with Booth Mounted 1.0 M BTU Heater	CREATION DATE: 08/2009	DRAWING NUMBER : TRFCE291-Spec.idw	