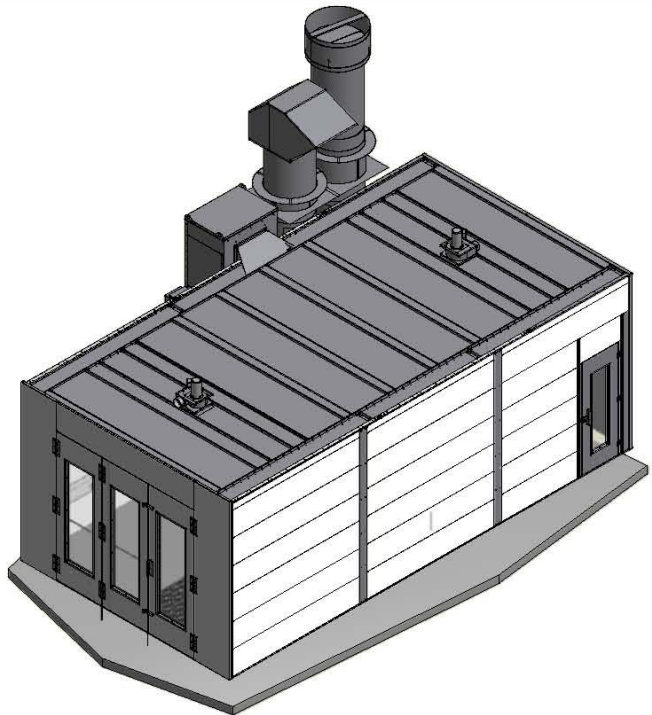
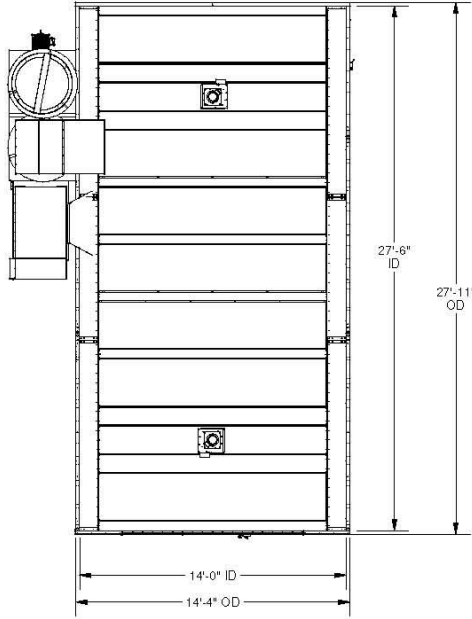
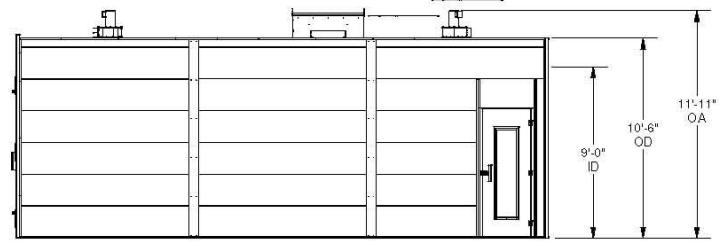
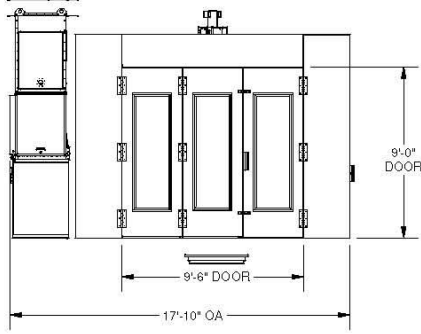


ELECTRICAL REQUIREMENT		
STANDARD EQUIP.	VOLTS	FULL LOAD AMPS
(1) 4-TUBE LIGHT FIXTURES	120 V	96 AMPS PER FIXTURE
(2) 1.5HP P. QADS MOTOR	208-240/480V	66.6/33.3 AMPS



- SPRAY BOOTH PERMIT REQUIREMENTS:**
- (1) AIR AND FIRE SUPPRESSION OR SPRINKLERS TO BE INSTALLED BY LOCAL CONTRACTOR OR ON SEPARATE PERMIT.
 - (2) SPRAY BOOTH TO BE SEPARATED FROM OTHER OPERATIONS BY NOT LESS THAN 2" CURB OR WALL OR PARTITION, INTERIOR SURFACES SMOOTH AND CONTIGUOUS.
 - (3) AIR SHALL EXHAUST WITHIN 6" OF THE FLOOR TO PICK UP FLAMMABLE VAPORS.
 - (4) MECHANICAL VENTILATION SHALL BE KEPT IN OPERATION AT ALL TIMES WHILE SPRAYING OPERATIONS ARE CONDUCTED AND FOR A SUFFICIENT TIME THEREAFTER TO ALLOW VAPORS FROM DRYING COATED ARTICLES AND FINISHING MATERIAL RESIDUE TO BE EXHAUSTED.
 - (5) AIR VELOCITY SHALL BE DESIGNED, INSTALLED AND MAINTAINED SUCH THAT THE AVERAGE AIR VELOCITY ACROSS THE FILTER SECTION OF THE SPRAY BOOTH DURING SPRAYING SHALL BE NOT LESS THAN 100 L/M. FPM.
 - (6) ELECTRIC MOTORS DRIVING EXHAUST FANS SHALL NOT BE PLACED IN BOOTHS OR DUCTS. FANS ROTATING ELEMENTS SHALL BE NON-FERROUS OR NON-SPARKING COCKING SHALL BE LINED WITH SUCH MATERIAL.
 - (7) BELTS SHALL NOT ENTER BOOTHS OR DUCTS UNLESS BELTS AND PULLEYS WITHIN A DUCT OR BOOTH ARE TIGHTLY ENCLOSED.
 - (8) ELECTRICAL GROUNDING IS REQUIRED FOR METAL PARTS OF SPRAY BOOTH, EXHAUST DUCTS AND PIPING SYSTEMS, CONVEYING CLASS I OR II LIQUIDS IN ACCORDANCE WITH THE ELECTRICAL CODE.
 - (9) ELECTRICAL INTERLOCK IS REQUIRED SO THAT SPRAYING CANNOT BE CONDUCTED UNLESS THE VENTILATION FANS ARE IN OPERATION VIA AIR-SOLENOID.
 - (10) INSIDE THE BOOTH ELECTRICAL SHALL BE CLASS I DIV. I.
 - (11) ALL ELECTRICAL COMPONENTS ARE UL LISTED.
 - (12) CLOSED BOOTH OPENINGS ARE CONSIDERED CLASS I DIV II WITHIN 6" OF THE OPENINGS.
 - (13) NO SMOKING OR WELDING SIGNS SHALL BE POSTED WITH LARGE LETTERS AND A CONTRASTING BACKGROUND IN ALL SPRAY AREAS AND PAINT STORAGE ROOMS.
 - (14) ALL BOOTHS MEET OR EXCEED NFPA-IEC-UMC-UPC-UBC CODES.
 - (15) SPRAY ENCLOSURE TECHNOLOGIES AUTO SPRAY BOOTH ARE ETL LISTED #8003186701 AND OPEN PALETTE SPRAY BOOTH ARE ETL LISTED #80275001 MERCURY HEATER ETL LISTED REPORT #8001978300.
 - (16) FLOOR MUST BE FLAT AND LEVEL ±.18".

ALL DIMENSIONS ARE FOR REFERENCE ONLY AND SUBJECT TO CHANGE



 www.spraytech.com	PART NUMBER : TIDDP271	MATERIAL:	FINISH	QTY
	DESCRIPTION:			
	CREATION DATE: 6/12/2010	DRAWING NUMBER : TIDDP271 - Spec.idw		