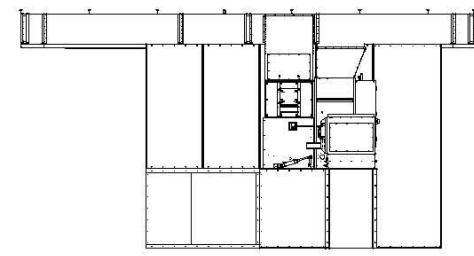
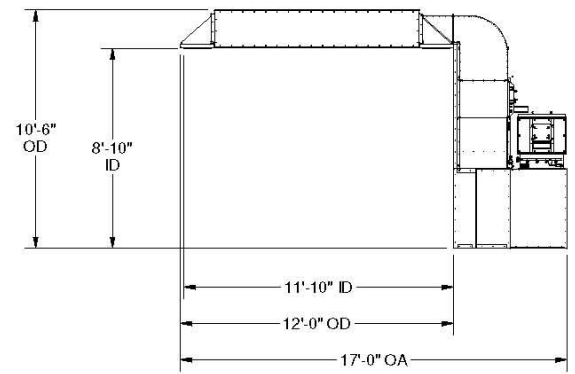


ALL DIMENSIONS ARE FOR REFERENCE ONLY AND SUBJECT TO CHANGE



 www.spraytech.com	PART NUMBER : LFS20SW1-Spec	MATERIAL:	FINISH	QTY
	DESCRIPTION: Semi Down Draft Limited Finishing Prep Station, Side Exhaust Bench and Intake Plenum Suspended from Customers Ceiling	CREATION DATE: 10/14/11	DRAWING NUMBER : LFS20SW1-Spec.idw	